



Function

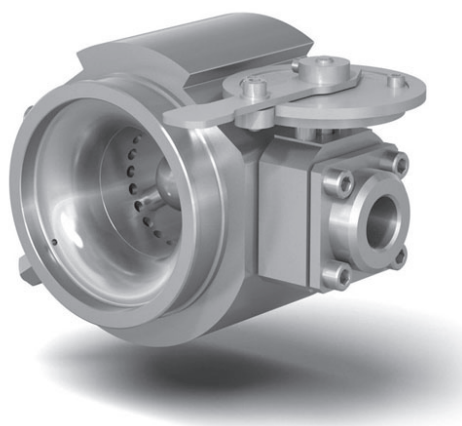
Gas mixers are applied for production (mixing) of fuel (gas) and air mixture for optimal combustion process in gas engine or any other gas consuming device.

Field of application

Gas engines, gas-piston power stations, gas burners and devices of similar purpose.

Code structure

1	2		3	4	5
CG	1	-	P	Y3.1	TY BY 200020142.037-2016



1. **CG** — series.
2. Typesize (determined by gas flow capacity rate):
 - 1 — (90...650) nm³/h;
 - 2 — (250...1400) nm³/h;
 - 3 — (700...3000) nm³/h;
 - 4 — (2300...4800) nm³/h.
3. Type of fuel supply adjustment:
 - M** — by electric power drive;
 - P** — manual.
4. Climatic version
-30...+40 °C — installation in closed unheated premises (spaces).

№ p/p	Characteristics	CG 1 - M		CG 1 - P		CG 2 - M		CG 2 - P		CG 3 - M		CG 3 - P		CG 4 - M		CG 4 - P	
		1	Flow capacity range, nm ³ /h	90-650		250-1400		700-3000		2300-4800							
2	Weight, kg., max.	3,8	5,2	6,5	8,0	8,4	9,9	21,9	22,3								
3	Dimensions, mm., max.																
	a) Length	190		200		205		313									
	б) Width	192	207	242	259	265	280	355	370								
	в) Height	160		180		206		252									
4	Temperature of operation medium, °C	-40...+80															